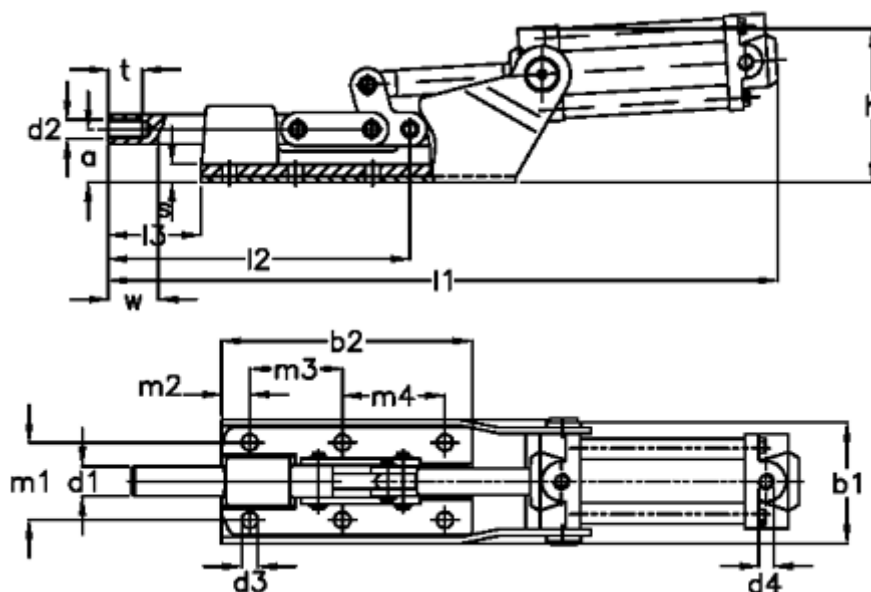


Article number: 2013731252

Description: E+G Klee pneumatically operated clamp
GN 890-2100-SP3-M

Measures



a	= 38.5	h	= 100	m3	= 50.0
b1	= 81	Holding force N	= 25000	m4	= 50
b2	= 177	Hose connector	= 8	s	= 13.5
Clamping force at 4 bar	= 6000	l1	= 461	Size	= 2100
d1	= 20.0	l2	= 222.0	t	= 22
d2	= M12	l3	= 61.5	W	= 46
d3	= 8.5	m1	= 50.0		
d4	= G 1/4	m2	= 35.0		